



Electromagnetic Vibratory Feeders



SAIDEEP

Technology that lays the foundation of your dreams



Electro-Magnetic Vibrating Feeders

Ideal for bulk material flow in feeding mixing and packaging operations.

Saideep Vibrating Feeders offer unmatched flexibility and reliability, making them ideally suited for a number of applications and materials. They are typically used in feeding, mixing blending, batching, grinding, packaging, flaking, freezing and drying applications. Whether the material is hot or coarse, dry or damp, light or heavy, these versatile units handle it with ease and efficiency.

With over multiple decades of experience, Saideep Vibratory Feeders are well known for their outstanding performance in bulk material handling. Our Vibro Feeders are tuned to maintain consistency and speed stability, thus delivering higher capacities at controlled feed rates. Other standard features include robust design, tuneability and the capability to work consistently under varying head loads.

Our Vibrating Feeders feature electromagnetic design, offering excellent durability and reliability. With no mechanical parts to wear out or require lubrication, downtime and maintenance are extremely rare, even under difficult or harsh environmental conditions.

Feed capacities range from 2000 Kgs to 125000 Kgs per hour, based on material bulk density. Our standard feeders operate at 230 V 50 Hz (Note: We also provide customized Voltages & Frequencies as demanded by the customer).

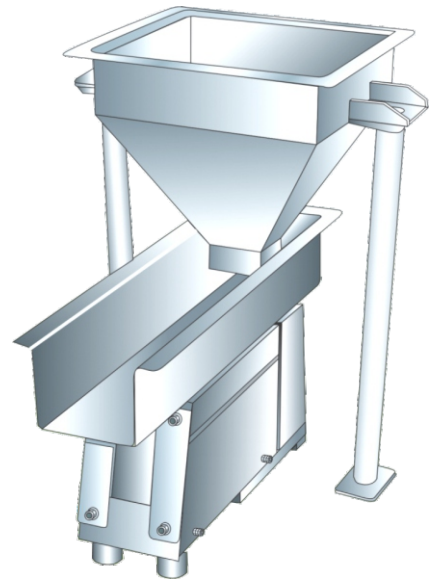
Material flow is easily adjusted with a Vibro Feeder Controller. A wide range of standard and special controller arrangements are available to meet ones specific requirement.

Applivation Areas :

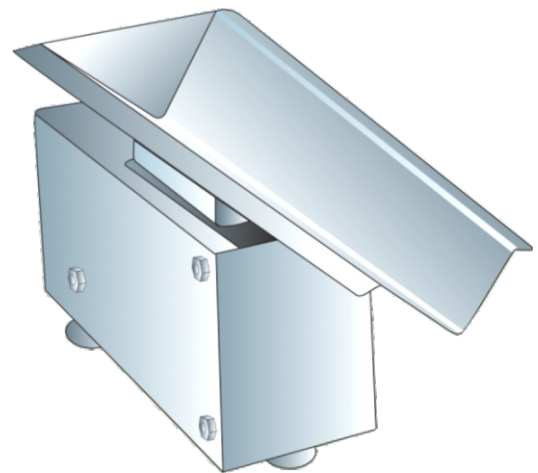
- Conveying
- Mixing
- Kilns
- Packaging
- Colour Sorter
- Feeding into Belt conveyors & Bucket Elevators
- Hopper / Silo Unloading
- Weigh hopper
- Crusher
- Ball Mill
- Tube Mill
- Cooling
- De-watering
- Sieving & many more...

Induseries Using Our Vibro Feeders :

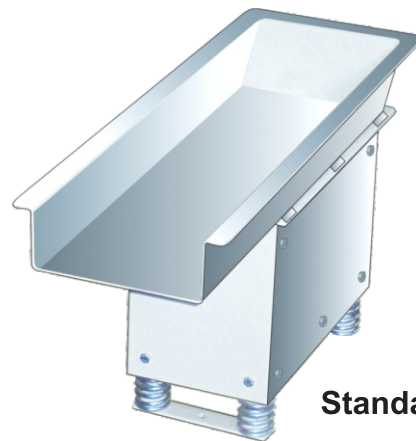
- Food
- Pharma
- Chemical
- Glass
- Concrete
- Steel
- Automotive
- Animal Feed
- Foundry & many more...



Linear Feeder With Hopper



V-Tray Feeder

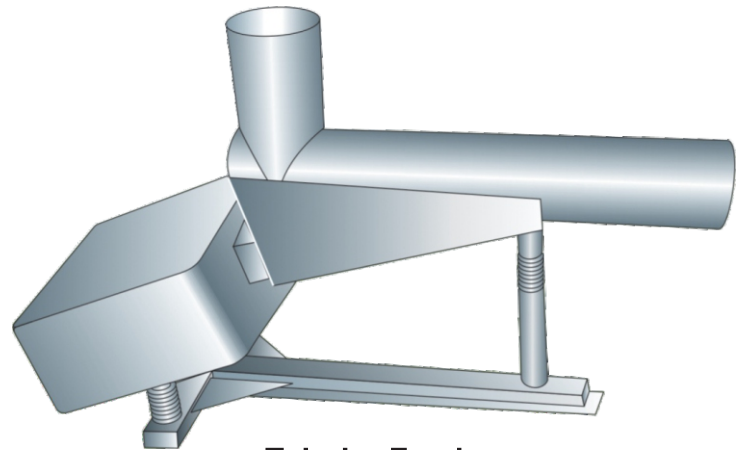


Standard Tray Feeder

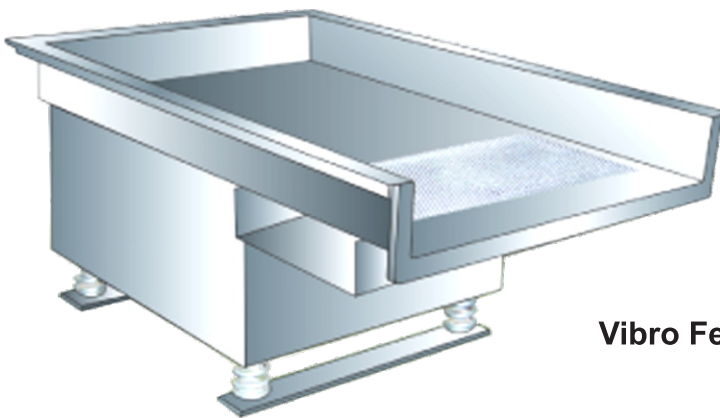




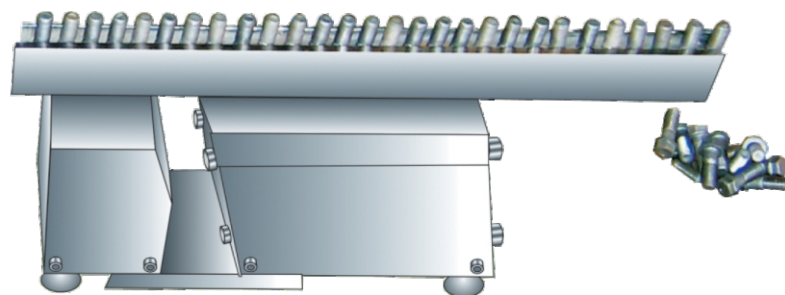
Suspended Heavy Duty Vibro Feeder



Tubular Feeder



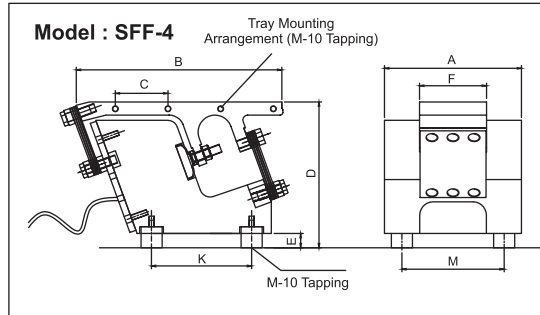
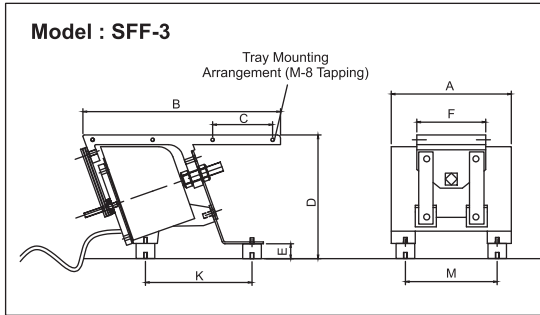
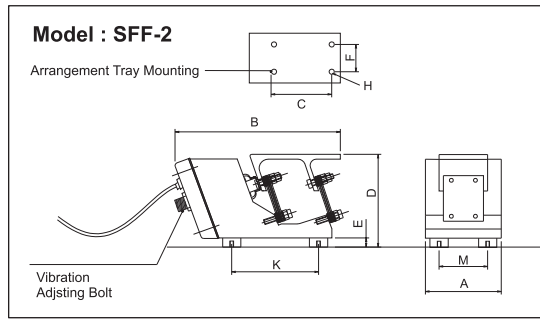
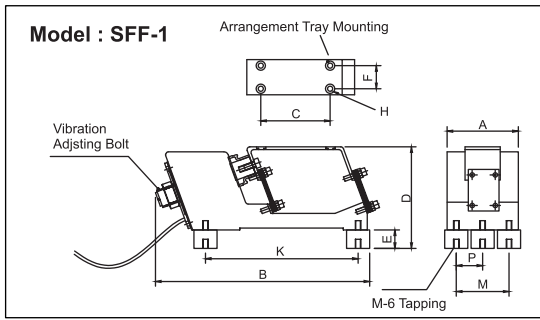
Vibro Feeder With Sieve



Linear Track Feeder

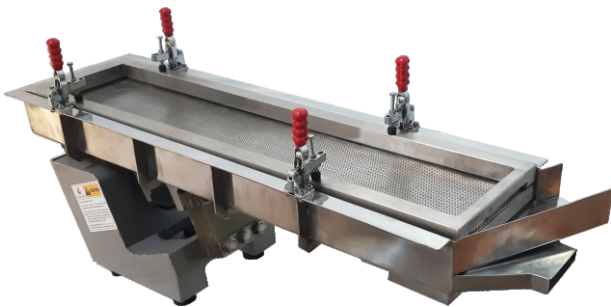
LD Series Drives





Vibro Feeder Technical Specifications (LD Series)															
Model	Drive Dimensions (mm)									Weight of Drive (Kgs)	Approx Power Consumption (watts)	Approx Current Input (Amps)	Max Tray Size (mm)		Feed Rate (TPH)
	A	B	K	M	D	E	F	C	ØH				Length	Width	
SFF-1	75	225	165	57	115	25	25	75	6	5	15	0.20	300	50	0.60
SFF-2	125	275	143	80	153	15	45	95	9	15	30	0.75	600	200	10.00
SFF-3	200	370	225	150	220	25	115	80	M-8	32	100	2.25	1000	300	7.50
SFF-4	265	390	190	195	270	30	127	100	M-12	64	180	4.00	1500	300	25.00

##NOTE: Power Supply 230 V / Frequency 50 Hz. Please specify if different Voltage & Frequency is desired.



Vibro Feeder Technical Specifications (HD Series)			
Type	Tray size in mm	Capacity per hour (for material with density 1500 Kgs.)	Power consumption
SDF-0	100 x 400	3 Tons	75 watts
SDF-1	150 x 500	5 Tons	100 watts
SDF-2	250 x 600	10 Tons	200 watts
SDF-3	300 x 900	25 Tons	350 watts
SDF-4	500 x 1000	50 Tons	600 watts
SDF-5	600 x 1200	75 Tons	900 watts
SDF-6	750 x 1500	100 Tons	1200 watts
SDF-7	900 x 1600	125 Tons	1500 watts

We can manufacture any tray size of feeder to suit individual customer requirement.

Our other products :



Office : A-11, Laghu Udyog Kendra, I. B. Patel Road, Goregaon (East), Mumbai - 400 063.
 Phones : (022) 2685 5799 / 2685 5843 • Mobile : 9867024201
 Email : sales@saideeponline.com / saideep55@yahoo.com
 Website : www.saideeponline.com

Factory : Plot No. 17 & 18, The Palghar Taluka Inds. Co-op. Estate Ltd.,
 Palghar Boisar road, Palghar (West) 401 404.

